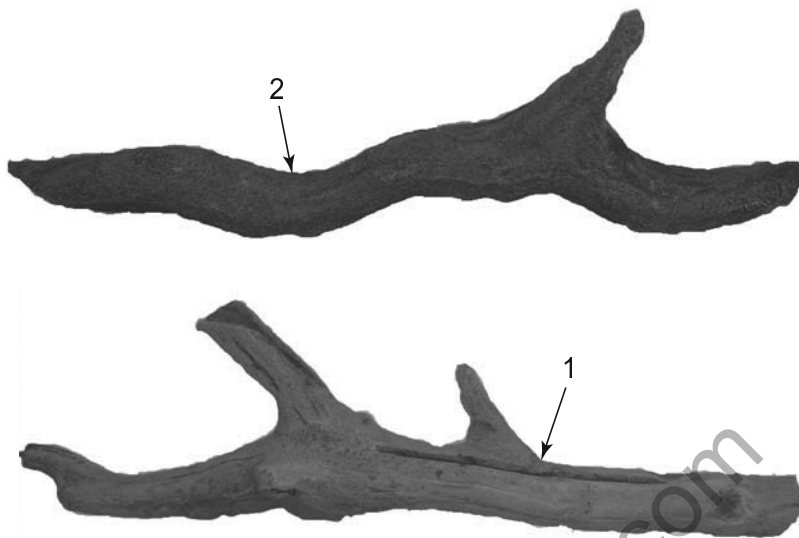


**FIREBOX**

ITEM	DESCRIPTION	QTY.	PART NO.
1a.	Bulb (20w)	12	20301100
1b.	Bulb – Top Light (100w)	1	73D0020
2.	Bulb Socket	13	73D4521
3.	Screen Frame Assembly	1	20305693K
4.	Panel, Access, Door	1	20305434K
5.	Porcelain Panel Rear	1	20305461
6.	Porcelain Panel Left	1	20305462
7.	Porcelain Panel Right	1	20305464
8.	Wire Harness	1	78D1077
9.	Junction Box Assembly (not shown)	1	26D2128K

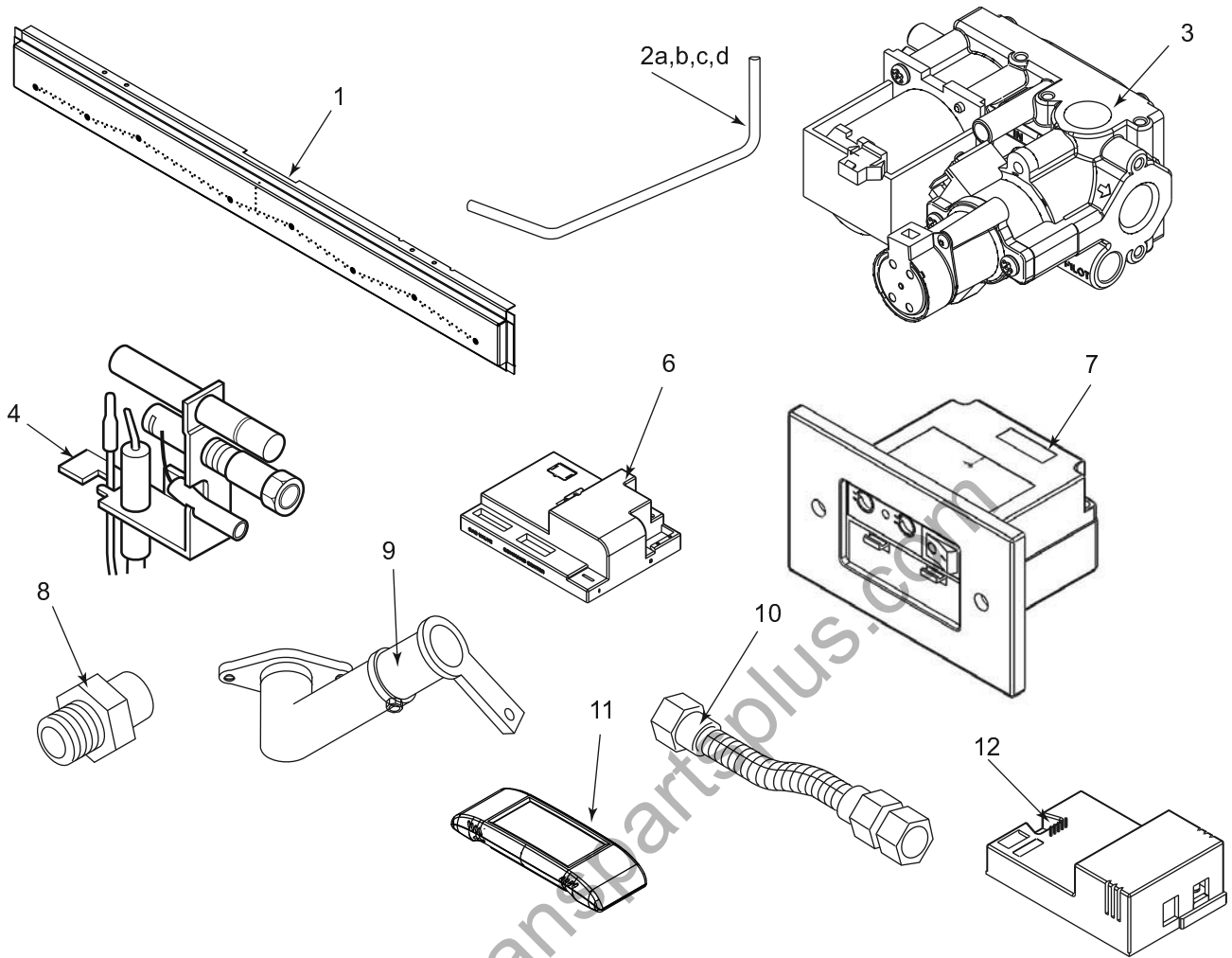


**LOGS**

ITEM	DESCRIPTION	QTY.	PART NO.
1.	Log #1	1	20305703K
2.	Log #2	1	20305704K

**STONES**

DESCRIPTION	QTY.	PART NO.
Large Sand Stone #1	1	20303038K
Large White Stone #2	1	20303039K
Large Dark Gray Stone #3	1	20303040K
Large Brown Stone #4	1	74D0720K
Medium Sand Stone #5	1	20303042K
Medium White Stone #6	2	20303043K
Medium Dark Gray Stone #7	2	20303044K
Medium Tan Stone #8	2	74D0718K
Small Tan Stone #9	1	78D0141K
Small Dark Gray Stone #10	2	74D0717K



**SIGNATURE COMMAND SYSTEM**

ITEM	DESCRIPTION	QTY.	AVFL42NTSC	AVFL42PTSC
1.	Burner Assembly	1	20305656K	20305468K
2a.	Tube, Tee to Valve	2	20305454K	20305454K
2b.	Tube, Tee to Injector	1	78D0090K	78D0090K
2c.	Regulator Tube	1	20304913K	—
2d.	Pilot Tube	1	20306010K	20306011K
3.	Gas Valve Assembly	1	20303257K	20303258K
4.	Pilot Assembly	1	14D0473	14D0473
5.	Pilot Regulator (not shown)	1	14D0469	—
6.	Control Box	1	80D0018	80D0018
7.	Command Center	1	80D0005	80D0005
8.	Injector	2	20305649	62D3005
9.	Venturi	2	45D0600	20305775K
10.	Flexhose w/Shutoff Valve	1	69D0030	69D0030
11.	Remote Transmitter (full function)	1	TSFSC	TSFSC
12.	AC Module	1	80D0004	80D0004
13.	Wire Valve/Control (not shown)	1	80D0010	80D0010
14.	Wire AC Module (not shown)	1	80D0009	80D0009
15.	Wire, CC/CB 24" w/Power Leads (not shown)	1	20301889	20301889
16.	Wire, Thermocouple Module SCS (not shown)	1	20301890	20301890